

Brushless technology Controller ESCON 70/10



The advantages :
 Speed servo-controller for DC and BLDC motors up to 700W - 4 available I/O -
 Reduced dimensions - Controller configurable via USB and graphic interface!
 Supplied without cable!

Associated products :

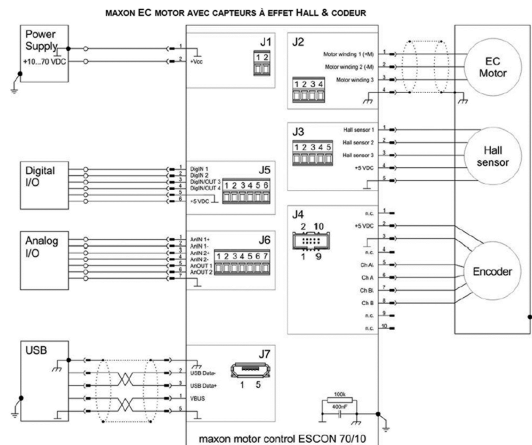
- > Potentiometer
POTENTIOMETRE POT-
- > Power supply
DRP-240-24
SP-320-24

maxon motor

4 Quadrant(s) - 700 W

Max. power output	700 W
Power supply voltage	1à 70 V
Peak output current	30 <20 sec A
Max permanent output	10 A
Maximum motor speed	15000tr/min
Functional	Courant, Vitesse
Programming	No
Programming	non
INPUTS:
Travel limits	No
Travel limits	non
Analog	2, 12bits , +/-10V,différentiel
Speed setpoint	Pot. ext/int, PWM 53.6KHZ
Permanent current setpoint	10 A
Peak current setpoint	30 A
Enable/disable	oui
Enable/disable	Yes
Electronic braking	oui
Electronic braking	Yes
Stop	oui
Stop	Yes
Direction	oui
Direction	Yes
Encoder	oui
Encoder	Yes
Tacho	oui
Tacho	Yes
Speed/current regulation	oui
Speed/current regulation	Yes
Monitor output display	oui
Monitor output display	Yes

OUTPUTS:
USB connection	mini USB
Speed image	Oui
Speed image	Yes
Current image	Oui
Current image	Yes
Ready	Oui
Ready	Yes
Fault	Oui
Fault	Yes
Auxiliary voltage	+5 VDC max. 10 mA
Hall Effect sensor power	+5 VDC max. 30 mA
Encoder power supply	+5 VDC 70 mA
SETTINGS:
Graphic interface display	oui
Graphic interface display	Yes
Motor settings	oui
Motor settings	Yes
Offset	oui
Offset	Yes
Max speed	oui
Max speed	Yes
Max permanent current	oui
Max permanent current	Yes
Acceleration ramp	oui
Acceleration ramp	Yes
Max peak current	oui
Max peak current	Yes
Max. peak current	oui
Max. peak current	Yes



Edition:Juli 2022 / subject to modification