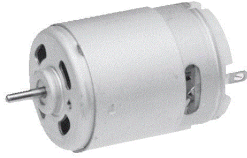


# Direct Current Motor RM83



### Associated products :

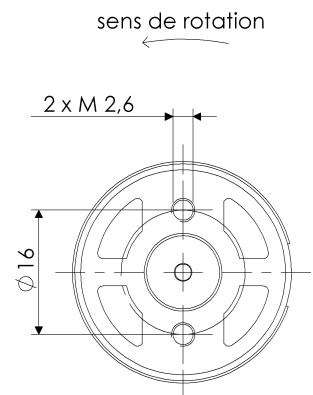
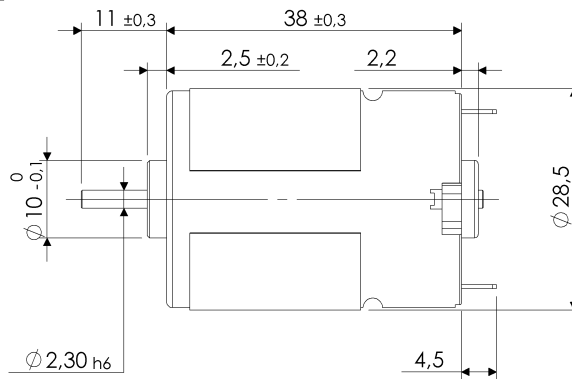
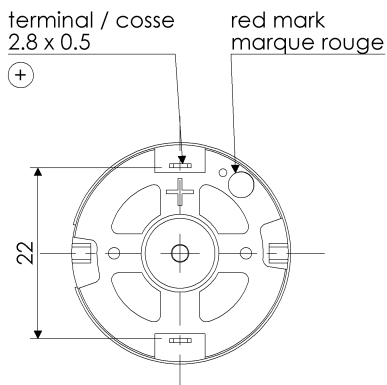
- > Power supply
- DR-120-24
- DR-60-24
- DRP-240-24
- DRP-480S-24
- RS-100-24
- RS-150-24
- RS-75-24
- SP-320-24

mdp

3 W - 4 W

Power supply voltage (Ua)	V	24
Speed at current In	tr/mn	5368
Torque at current In	mNm	6.15
Max. permanent current (In)	mA	230
Ua no-load speed +/- 10%	tr/mn	6549
No-load current +/- 50%	mA	50
Ua stall torque	mNm	34.2
Ua stall current	mA	1900
Speed/torque gradient	tr/mn/mN	192
Limit speed	tr/mn	6549
Max. Ua operating power output	W	5.9
Maximum efficiency	%	60

Commutation	Graphite
Bearings	Roulement Auto-lubrifiant
Magnets	Ferrite
Min ambient operating temperature	-10 °C
Max ambient operating temperature	+85 °C
Weight	69 g
Norm	ROHS



Edition: Juli 2022 / subject to modification

Version of 06/07/2022