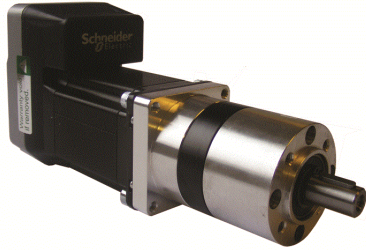


Geared Stepper Motor

LMD23/PM52 CanOpen IP20



The advantages :
 Integral axis motion controller positioning motor with 1000-point encoder -
 Configurable I/O - Standalone operation via memorised cycle - no-step losses integrated -
 Torque Mode. See instructions. 4-Year

Associated products :

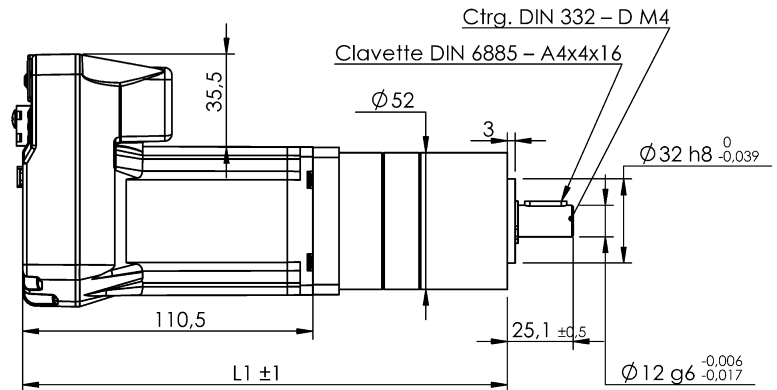
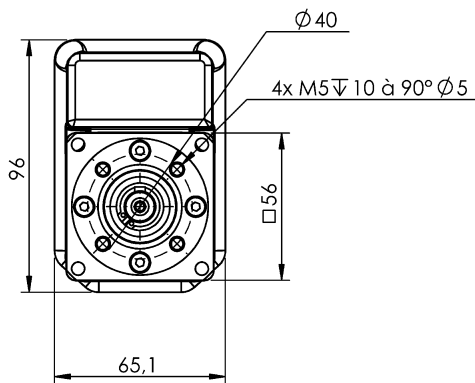
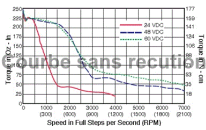
> Power supply
 DR-120-24
 DRP-240-48

mdp

4 Nm - 25 Nm

Version	Reduction ratio	Number of stages	Efficiency	Step angle (°)	Holding Torque (Nm)	Rated Torque / Phase (A)	Inertia (g.cm ²)
LMDCA573/0004	3.70	1	0.80	0.49	4.00	3.50	460
LMDCA573/0016	15.88	2	0.75	0.11	12.00	3.50	460
LMDCA573/0051	50.89	3	0.70	0.035	25.00	3.50	460

Insulation class	B
Protection	IP20
Reduction gear type	planetary
Bearings	ball bearings 2RS
Gears fabricated from:	Delrin/Acier
input stage	Delrin
output stage	Steel
Maximum axial load	100 N
Maximum radial load	200 N
Slip force	500 N
Angular play under load	0.70 °
Maximum input speed	3000 tr/mn
Max ambient operating temperature	140 °C
Reduction gear min temperature	-30 °C
Reduction gear max temperature	140 °C
Motor min temperature	-20 °C
Motor maximum temperature	50 °C



Nombre d'étages	1	2	3	4
L1	184.7	198.9	213.1	227.3

Edition: Juli 2022 / subject to modification

Version of 06/07/2022