

Direct Current Geared Motor RE50G/PM72



The advantages :
 Servo gear motor
 Ideal for start/stop applications and direction of rotation reversal

Associated products :

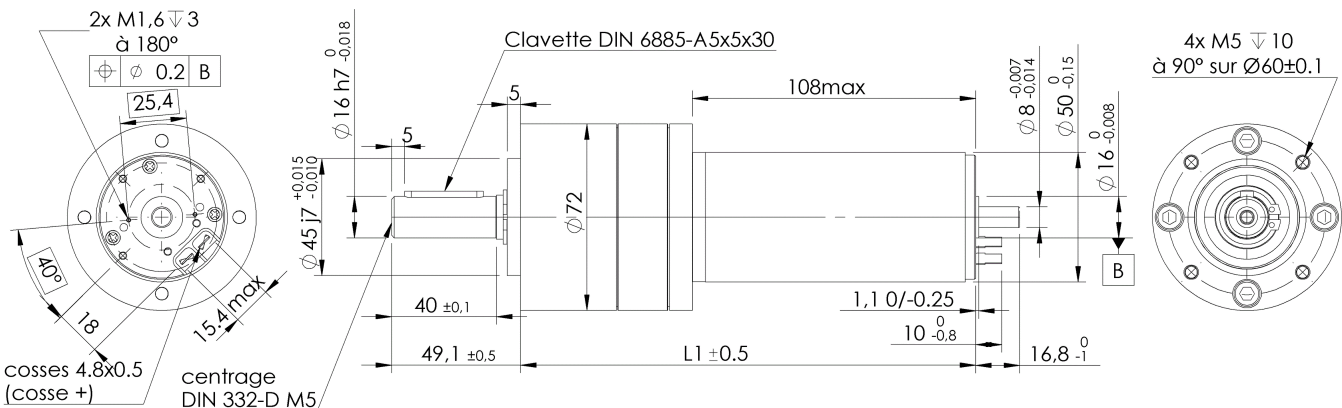
- > **Encoder**
 HEDL 5540
 HEDS 5540
- > **Power supply**
 DRP-240-48
 SP-320-24
- > **Controller**
 EPOS4 70/15
 ESCON 70/10
 FIRST DC 1Q 60/10

maxon motor

1.2 Nm - 80 Nm

Version	Reduction ratio	Number of stages	Efficiency	No-load speed (rpm)	Rated speed (rpm)	Rated Torque (Nm)	Rated Current (mA)
24V/0004	3.7	1	0.80	1608	1535	1.20	10.8
24V/0016	15.88	2	0.75	375	358	4.80	10.8
24V/0025	25.01	2	0.75	238	227	7.60	10.8
24V/0107	107	3	0.7	56	53	30.30	10.8
24V/0196	196	3	0.70	30	28	55.60	10.8
24V/0305	305	4	0.65	20	19	80.30	10.8

Commutation	Graphite
Number of commutator segments	15
Magnet	Neodymium
Reduction gear type	planetary
Bearings	ball bearings 2RS
Maximum axial load	100 N
Maximum radial load	1000 N
Angular play under no load	0.60 °
Angular play under load	0.60 °
Maximum input speed	3000 tr/mn
Min ambient operating temperature	-30 °C
Max ambient operating temperature	100 °C
input stage	Delrin
output stage	Steel
Minimum weight	2500 g



nombre d'étages	1	2	3	4
L1	174.5	194.1	213.6	233.1

Edition juin 2022 / subject to modification